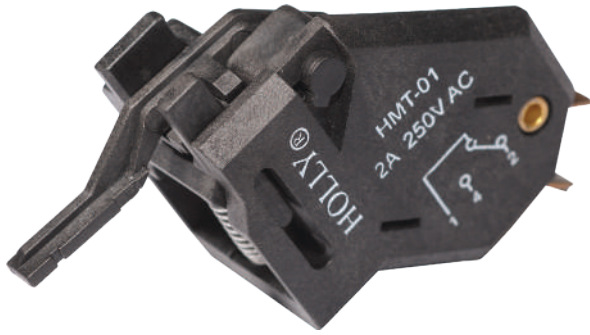
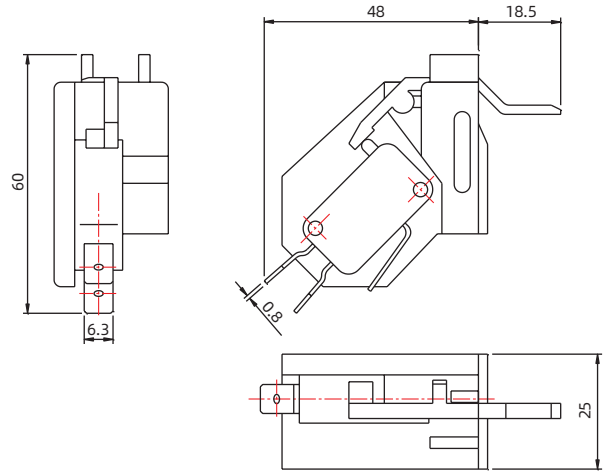


Microswitch
微动开关

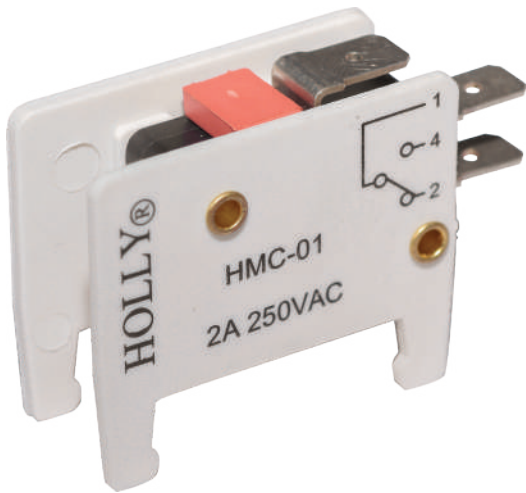


Dimensions/ 尺寸 :

Unit 单位: mm

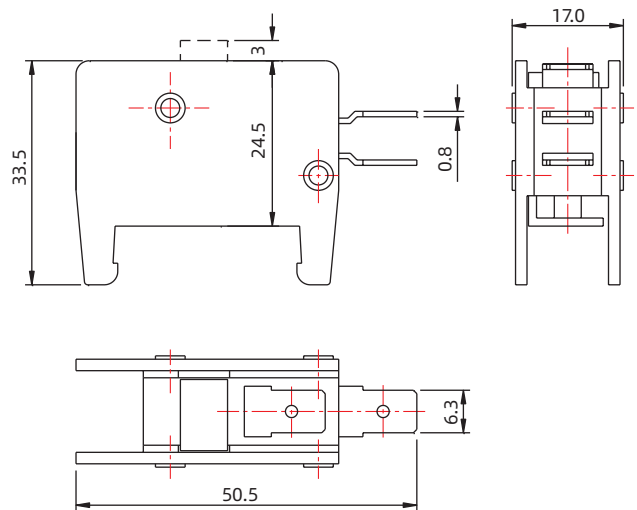


Model of product 产品型号	Rated voltage 额定电压 (V)	Rated current 额定电流 (A)	Lugs size 快接端子尺寸 (mm)
HMT-01	250V AC	2A	6.3 x 0.8mm



Dimensions/ 尺寸 :

Unit 单位: mm



Model of product 产品型号	Rated voltage 额定电压 (V)	Rated current 额定电流 (A)	Lugs size 快接端子尺寸 (mm)
HMC-01	250V AC	2A	6.3 x 0.8mm